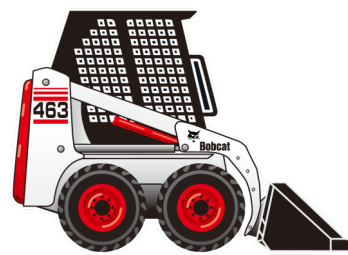


# BOBCAT 463 Mini



## 463 Mini Skid Steer Loader



**Big performance in a small package!**  
 The 463 loader makes compactness a virtue. It goes where bigger machines can't go. It's low in cost. It's easily transportable. Yet it's also dependable, agile, productive, labor-saving, operator-friendly and is equipped with a cab that offers many of the comforts of a much larger machine! But most of all, the 463 is versatile. With a choice of nearly 20 hardworking Bobcat attachments, you and your 463 can tackle just about any job with ease and confidence.

### Specifications

#### Performance

Rated Operating Capacity  
 Tipping Load  
 Hydraulic Pump Capacity  
 Travel Speed  
 Operating Weight

#### 463

700 lb. (318 kg)<sup>1</sup>  
 1405 lb. (637 kg)  
 10 GPM (37.8 L/min.)  
 6.5 MPH (10.5 km/hr.)  
 2708 lb. (1228 kg)

#### Dimensions

Length (with bucket)  
 Width (with bucket)  
 Height  
 Height to Bucket Pin

100.5 in. (2553 mm)  
 36.0 in. (914 mm)  
 71.4 in. (1814 mm)  
 94.5 in. (2399 mm)

#### Engine

Model  
 Fuel/Cooling  
 Cylinders  
 SAE NET HP/Displacement  
 Fuel Tank Capacity

D1005-E  
 Diesel/Liquid  
 3  
 22.5/61.1 in.<sup>3</sup> (1,0 L)  
 6.5 gal. (24,6 L)

#### Operation

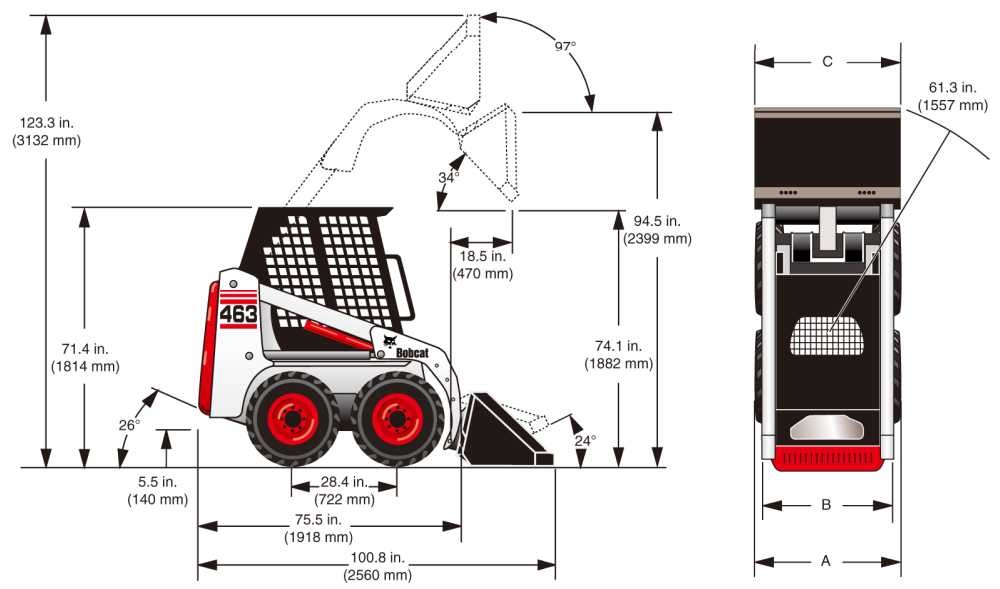
Steering and Drive  
 Hydraulics  
 Transmission

Forward, reverse, travel speed and steering controlled by two hand levers.  
 Raise/lower lift arms and dump/rollback bucket controlled by two foot pedals.  
 Hydrostatic, four-wheel drive.

#### Standard Features

- 5.70-12 Standard Tires
- Bob-Tach
- Bobcat Interlock Control System (BICS™)
- Front & Rear Lights
- Front Auxiliary Hydraulics
- High Back
- Cushion Seat
- Lift Arm Support
- Meters/Gauges/Warning Lights
- Operator Cab
- Parking Brake
- Rear Window
- Seat Bar
- Seat Belt
- Spark Arresting System

### Dimensions:



www.southerntool.com.au  
 GO ONLINE TO SEE ALL OUR PRODUCTS



1800 074 466  
 Mon-Friday, 8:30-5:00pm Saturday, By Appointment

