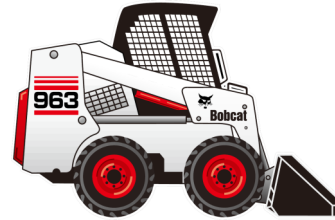




## 963 Skid Steer Loader



The Bobcat 963 G-Series has plenty of power for every assignment. All that manoeuvrable muscle comes from a tough 105 HP turbo-charged diesel engine that lets you lift up to 3,000 lb., carry it faster and load it easier. And with its extended wheelbase, the 963 gives you a smoother ride as well as added strength.

## Specifications

### Performance

Rated Operating Capacity<sup>1</sup>  
ROC with optional counterweight  
Tipping Load  
Hydraulic Pump Capacity  
Travel Speed: Low Range  
High Range  
Operating Weight

### 963

3000 lb. (1361 kg)  
3650 lb. (1656 kg)  
6000 lb. (2722 kg)  
26.2 GPM (99.2 L/min.)  
5.20 MPH (8.3 km/hr.)  
9.00 MPH (14.5 km/hr.)  
9900 lb. (4491 kg)

### Dimensions

Length (with bucket)  
Width (with bucket)  
Height  
Height to Bucket Pin

153.6 in. (3902 mm)  
79.6 in. (2022 mm)  
89.7 in. (2279 mm)  
128.0 in. (3252 mm)

### Engine

Make/Model  
Fuel/Cooling  
Cylinders  
SAE NET HP/Displacement  
Fuel Tank Capacity

Perkins 1004.40T turbo-charged  
Diesel/Liquid  
4  
105 hp/243 cu. in. (3.99 L)  
32.5 gal. (123 L)

### Operation

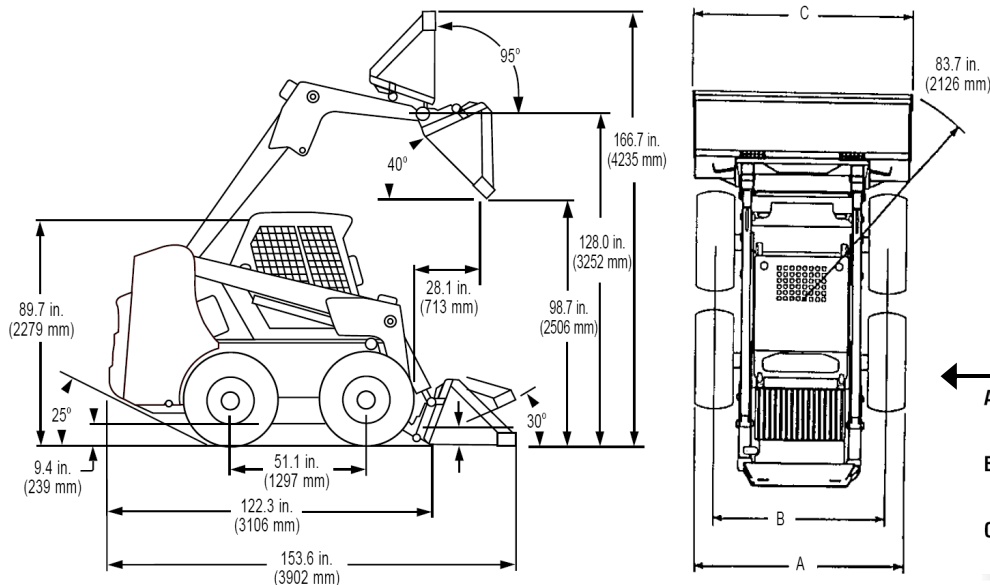
Steering and Drive  
Hydraulics

Forward, reverse, travel speed and steering controlled by two hand levers.  
Raise/lower lift arms and dump/rollback bucket controlled by two foot pedals or optional hand controls.  
Hydrostatic, four-wheel drive.

### Standard Features

- Bobcat Interlock Control System (BICS™)
- Bob-Tach
- Deluxe Cab
- Dual Path Cooling System
- Engine Shutdown
- Hydraulic Bucket Positioning<sup>2</sup>
- Two-Speed Travel
- Spark Arrestor Muffler
- 14-17.5 Flotation Tires
- Auxiliary Hydraulics
- Suspension Seat (vinyl or cloth cover)
- Three-Point Seat Belt
- Lift Arm Support
- Lights (Front/Rear)
- Gauges/Warning Lights
- Operator Cab
- Parking Brake
- Seat Bar
- Top & Rear Window

## Dimensions:



- A** - 14 x 17.5 Tires - 78.0 in. (1981 mm)  
38 x 20 - 16.1 Tires - 87.0 in. (2210 mm)
- B** - 14 x 17.5 Tires - 62.6 in. (1590 mm)  
38 x 20 - 16.1 Tires - 67 in. (1702 mm)
- C** - 78 in. Bucket Width - 79.6 in. (2022 mm)  
87 in. Bucket Width - 88.6 in. (2250 mm)

