



## S130 Skid Steer Loader



Strong. Compact. Manoeuvrable. only 1490mm width, makes this a great performer for its size and the tight. It's perfect for a variety of applications such as construction, landscaping, excavating, fertilizer plants, foundries and much more. Also, The versatile Bob-tach system provides fast, secure attachment changes.

## Specifications

### Performance

Rated Operating Capacity<sup>1</sup>  
ROC with optional counterweight  
Tipping Load  
Hydraulic Pump Capacity  
Travel Speed  
Operating Weight

### S130

1300 lb. (590 kg)  
1400 lb. (635 kg)  
2744 lb. (1245 kg)  
16.9 GPM (64.0 L/min)  
7.3 MPH (11.7 km/hr.)  
5063 lb. (2297 kg)

### Dimensions

Length (with bucket)  
Width (with bucket)  
Height  
Height to Bucket Pin

124.1 in. (3152 mm)  
62.0 in. (1575 mm)  
77.3 in. (1963 mm)  
109.5 in. (2781 mm)

### Engine

Make/Model  
Fuel/Cooling  
Cylinders  
SAE NET HP/Displacement  
Fuel Tank Capacity

Kubota V2203-M-DI  
Diesel/Liquid  
4  
46/134 in.<sup>3</sup> (2,2 L)  
13.3 gal. (50,4 L)

### Operation

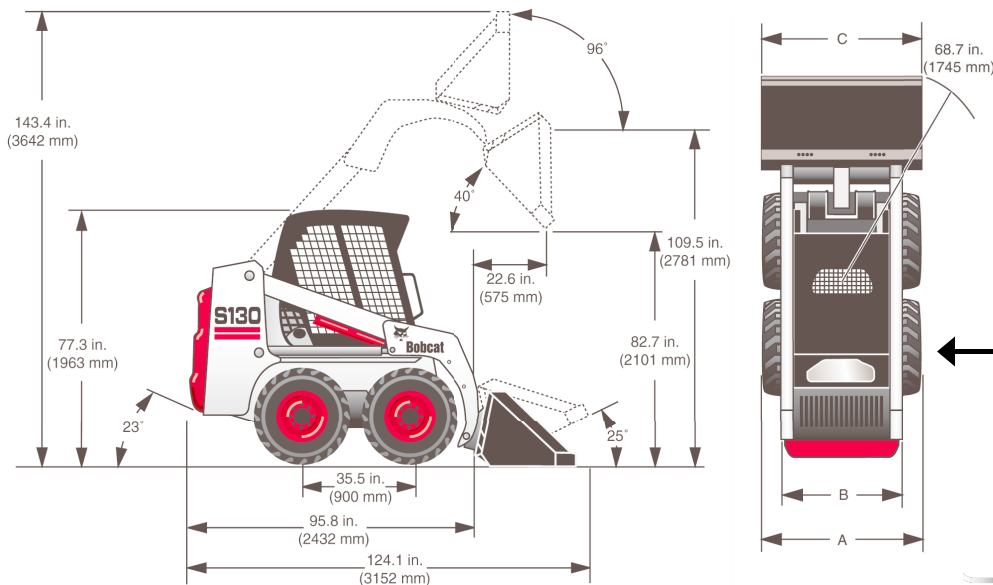
Steering and Drive  
Hydraulics  
Transmission

Forward, reverse, travel speed and steering controlled by two hand levers.  
Raise/lower lift arms and dump/rollback bucket controlled by two foot pedals or optional hand control:  
Hydrostatic, four-wheel drive.

### Standard Features

Adjustable Cushion Seat  
Automatically Activated Glow Plugs  
Bobcat Interlock Control System (BICS™)  
Bob-Tach™  
Deluxe Cab  
Dual Path Cooling System  
Engine/Hydraulic Shutdown  
Front Auxiliary  
Hydraulics  
Front & Rear Lights  
Lift Arm Support  
Meters/Gauges/Warning Lights  
Parking Brake  
Seat Bar  
Seat Belt  
Spark Arrestor Muffler  
10-16.5 Standard Duty Tires

## Dimensions:



- A - 10-16.5 Tires - 58.7 in. (1490 mm) or 53.4 in. (1355 mm) with offset rims. 30.5 x 12-16.5 - 58.7 in. (1490 mm)
- B - 10-16.5 Tires - 48.1 in. (1222 mm) or 42.9 in. (1089 mm) with offset rims. 30.5 x 12-16.5 - 48.5 in. (1232 mm)
- C - 54 in. Bucket Width - 55.0 in. (1398 mm) 62 in. Bucket Width - 62.0 in. (1575 mm)

