



S630 Skid Steer Loader

Enjoy a big, comfortable cab with even better visibility with the new M-Series, there is a difference you can see and a difference you'll experience on the job. The M-Series Bobcat loader has a completely re-engineered cab that keeps you comfortable, with superior performance that will help you do more, do it faster and do it better.

Specifications

S630

Rated Operating Capacity (ROC)	2180 lb. (989 kg)
ROC with Counterweight (optional)	
Tipping Load	4360 lb. (1978 kg)
Lift Height to Bucket Pin	121 in. (3073 mm)
Lift Arm Path	Radius

SIZE AND SPEED

Operating Weight	7707 lb. (3496 kg)
Width (with Bucket)	74 in. (1880 mm)
Cab Height	81.3 in. (2065 mm)
Travel Speed - Low	7.1 mph (11.4 km/hr.)
Travel Speed - High	12.3 mph (19.8 km/hr.)

ENGINE

Horsepower	74.3 hp
Type	Turbo Diesel
Fuel Tank Capacity	27.3 gal (103.3 L)
Dual Path Cooling System	Std
Machine Shutdown Protection Feature	Std
Bobcat SmartFAN™	Std
Horsepower Management	Included with SJC option

CHAINCASE

Chain Size	120 HSOC
Axle Tubes Welded to Chaincase	Std
Labyrinth Axle Seal Protection	Std
Required Chain Adjustment	Never

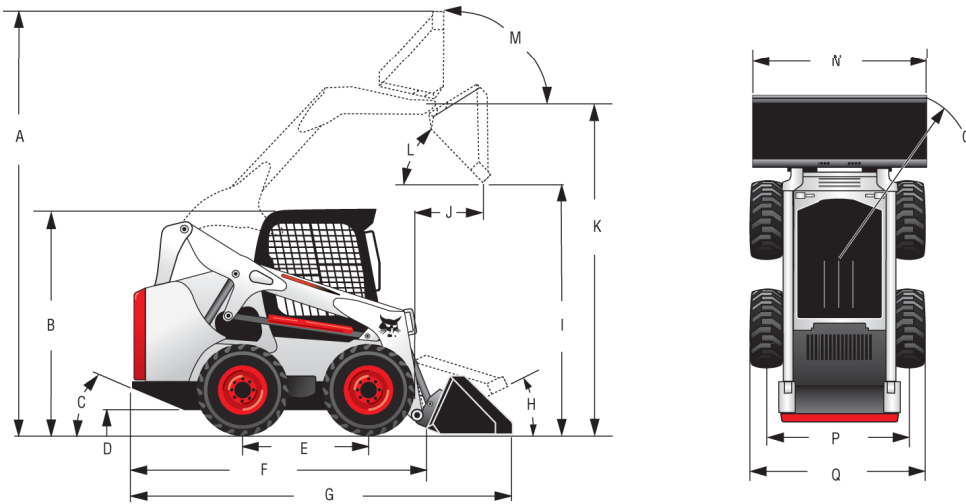
TIRES

Bobcat Heavy Duty, 12 ply, 12-16.5	Std
Bobcat Super Float (33x15.5-16.5)	Opt

CONTROL OPTIONS

Bobcat Std (foot pedals/steering levers)	Std
Advanced Control System (SJC)	Opt
Selectable Joystick Control (SJC)	Opt

Dimensions:



A	B	C	D	E	F	G	H	I	J	K	L	M	N	O	P	Q
3950	2065	25D	207	1150	2754	3474	30D	2367	544	3073	42D	97D	1880	2119	1507	1832

