



S650 Skid Steer Loader

Enjoy a big, comfortable cab with even better visibility with the new M-Series, there is a difference you can see and a difference you'll experience on the job. The M-Series Bobcat loader has a completely re-engineered cab that keeps you comfortable, with superior performance that will help you do more, do it faster and do it better.

Specifications

S650

Rated Operating Capacity (ROC)	2690 lb. (1220 kg)
ROC with Counterweight (optional)	
Tipping Load	5380 lb. (2440 kg)
Lift Height to Bucket Pin	124 in. (3149 mm)
Lift Arm Path	Vertical

SIZE AND SPEED

Operating Weight	8327 lb. (3777 kg)
Width (with Bucket)	74 in. (1880 mm)
Cab Height	81.3 in. (2065 mm)
Travel Speed - Low	7.1 mph (11.4 km/hr.)
Travel Speed - High	12.3 mph (19.8 km/hr.)

ENGINE

Horsepower	74.3 hp
Type	Turbo Diesel
Fuel Tank Capacity	27.3 gal (103.3 L)
Dual Path Cooling System	Std
Machine Shutdown Protection Feature	Std
Bobcat SmartFAN™	Std
Horsepower Management	Included with SJC option

CHAINCASE

Chain Size	120 HSOC
Axle Tubes Welded to Chaincase	Std
Labyrinth Axle Seal Protection	Std
Required Chain Adjustment	Never

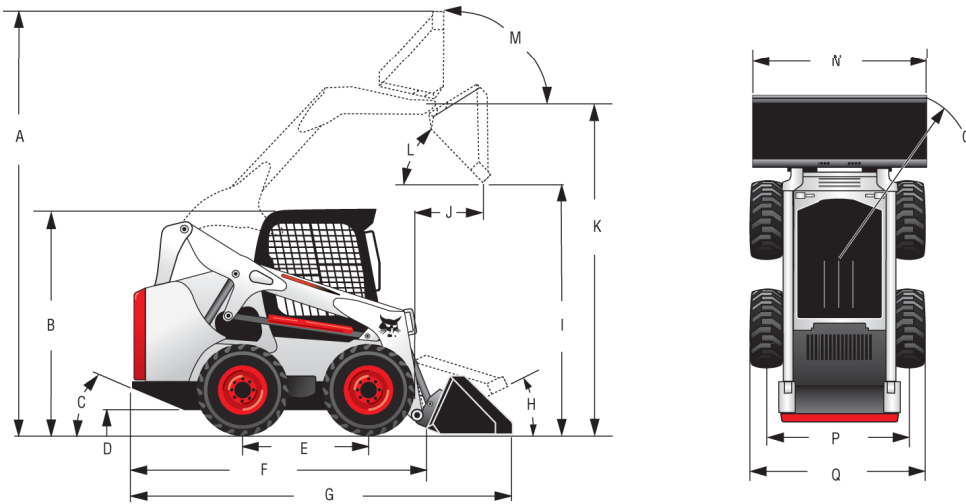
TIRES

Bobcat Heavy Duty, 12 ply, 12-16.5	Std
Bobcat Super Float (33x15.5-16.5)	Opt

CONTROL OPTIONS

Bobcat Std (foot pedals/steering levers)	Std
Advanced Control System (SJC)	Opt
Selectable Joystick Control (SJC)	Opt

Dimensions:



A	B	C	D	E	F	G	H	I	J	K	L	M	N	O	P	Q
4026	2065	25D	207	1150	2754	3474	30D	2447	800	3149	42D	97D	1880	2106	1507	1832

