



## 553 Skid Steer Loader



The compact Bobcat S70 skid-steer loader is small enough to get in the tight spots, yet tough enough to get you out. This agile little workhorse is only 6 feet tall and 3 feet wide — the ideal size for scooting through narrow doorways, corridors, aisles, alleys and gates, and for working under low ceilings. It's the perfect loader whenever the job is too big for a shovel or the space is too small for a larger machine.

## Specifications

### Performance

Rated Operating Capacity  
Tipping Load  
Hydraulic Pump Capacity  
Travel Speed  
Operating Weight

### S70

700 lb. (318 kg)<sup>1</sup>  
1512 lb. (686kg)  
9.8 gpm (37.8 L/min.)  
6.1 mph (9.8 km/hr.)  
2795 lb. (1268 kg)

### Dimensions

Length (with bucket)  
Width (with bucket)  
Height  
Height to Bucket Pin

97.3 in. (2472 mm)  
36.0 in. (914 mm)  
71.4 in. (1814 mm)  
94.5 in. (2399 mm)

### Engine

Model  
Fuel/Cooling  
Cylinders  
SAE HP/Displacement  
Fuel Tank Capacity

D1005-E  
Diesel/Liquid  
3  
23.5/61.1 cu. in. (1.0 L)  
6.5 gal. (24.6 L)

### Operation

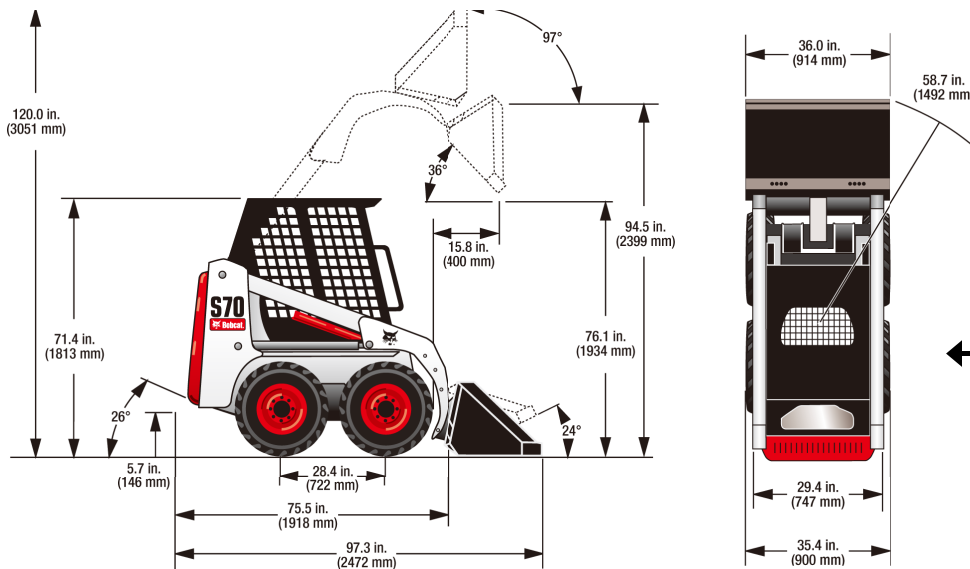
Steering and Drive  
Hydraulics  
Transmission

Forward, reverse, travel speed and steering controlled by two hand levers.  
Raise/lower lift arms and dump/rollback bucket controlled by two foot pedals.  
Hydrostatic, four-wheel drive.

### Standard Features

5.70-12 Standard Tires  
Backup Alarm  
Bob-Tach™  
Bobcat Interlock Control System (BICS™)  
Front & Rear Lights  
Front Auxiliary Hydraulics  
High Back  
Cushion Seat  
Horn  
Lift Arm Support  
Meters/Gauges/  
Warning Lights  
Operator Cab  
Parking Brake  
Rear Window  
Seat Bar  
Seat Belt  
Spark Arresting System

## Dimensions:



- A** - 5.70 x 12 Tires - 35.4 in. (900 mm)  
23 x 8.50 - 12 Tires - 43.3 in. (1100 mm)
- B** - 5.70 x 12 Tires - 29.4 in. (747 mm)  
23 x 8.50 - 12 Tires - 34.8 in. (884 mm)
- C** - 36 in. Bucket Width - 36.0 in. (914 mm)  
44 in. Bucket Width - 44 in. (1118 mm)

