

## T630 Multi Terrain Track Loader

Enjoy a big, comfortable cab with even better visibility with the new M-Series, there is a difference you can see and a difference you'll experience on the job. The M-Series Bobcat loader has a completely re-engineered cab that keeps you comfortable, with superior performance that will help you do more, do it faster and do it better.

## Specifications T630

Rated Operating Capacity at 35% of Tipping Load	2230 lb. (1012 kg)
Rated Operating Capacity at 50% of Tipping Load	3180 lb. (1442 kg)
ROC with Counterweight (optional)	
Tipping Load	6371 lb. ( 2890 kg)
Lift Height to Bucket Pin	121 in. (3073 mm)
Lift Arm Path	Radius

## SIZE AND SPEED

Operating Weight	9015 lb. (4089 kg)
Width (with Bucket)	74 in. (1880 mm)
Cab Height	81.3 in. (2065 mm)
Travel Speed	6.6 mph (10.6 km/hr.)

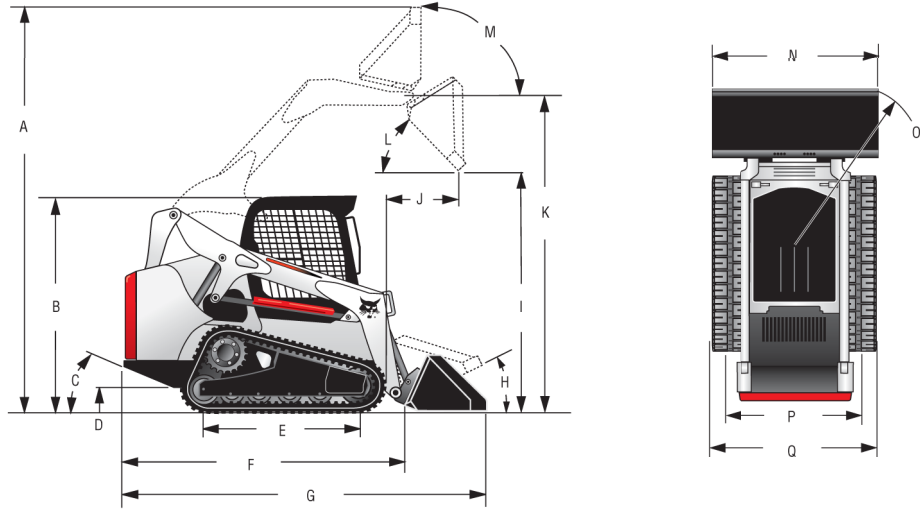
## ENGINE

Horsepower	Tier III Compliant 74.3 hp
Type	Turbo Diesel
Fuel Tank Capacity	27.4 gal. (103.7 L)
Dual Path Cooling System	Std
Machine Shutdown Protection Feature	Std

## TRACKS/UNDERCARRIAGE

Grease Cylinder Track Tensioning	Std
Triple Flange Rollers per side	4
Length of Track on Ground	59 in. (1499 mm)
Track Width - Standard	12.6 in. (320 mm)
Ground Pressure (w/std tracks)	5.5 psi
Track Width - Optional	17.7 in. (450 mm)
Ground Pressure (w/opt tracks)	4.0 psi
Roller Suspension	Opt

## Dimensions:



A	B	C	D	E	F	G	H	I	J	K	L	M	N	O	P	Q
3590	2065	31D	233	1499	2754	3474	30D	2367	613	3073	42D	97D	1880	2238	1532	1851

